

Scheda prodotto / garanzia
Product manual / warranty
Fiche produit / garantie
Ficha / garantía

PEDINI

Complimenti per aver scelto una cucina Pedini.

L'azienda insieme al suo rivenditore specializzato la ringraziano per la sua scelta e sono lieti di annoverarla tra la loro più affidabile clientela. Colgono l'occasione per ricordarle che la Pedini da anni è impegnata nella ricerca della qualità totale e nella progettazione di modelli sempre più innovativi, creativi, funzionali ed ergonomici. Poiché l'azienda desidera essere sempre più vicina ai suoi affezionati clienti ha pensato di farle pervenire un manuale di manutenzione che l'aiuterà, dopo l'acquisto, a conservare e a mantenere la qualità della sua cucina. Per l'assistenza le consiglia i rivenditori specializzati Pedini, con i quali è in stretta e continua collaborazione. Ogni proposta Pedini viene realizzata in Italia utilizzando un network

L'achat d'une cuisine Pedini est un choix excellent.

Notre entreprise, ainsi que notre revendeur spécialisé, vous remercient de votre choix et sont enchantés de pouvoir vous compter parmi leur aimable clientèle. Nous voudrions saisir l'occasion pour vous rappeler que Pedini s'est engagée depuis plusieurs années dans la recherche d'une qualité intégrale et dans la conception de modèles de plus en plus innovants, originaux, fonctionnels et ergonomiques. Notre souhait étant celui d'assister fidèlement nos clients, nous avons rédigé une guide d'entretien pour vous aider à préserver la qualité de votre cuisine. Pour en savoir plus, vous pouvez également contacter le revendeur Pedini avec qui nous travaillons en étroite collaboration.

Congratulation on choosing a Pedini kitchen.

We and our exclusive retailers would like to thank you for your choice and welcome you as our customer. We would also take the opportunity to remind you that for years Pedini has been involved in the search for total quality and in the design of ever more innovative, creative, functional and ergonomic kitchens. In a bid to be in closer contact with our regular customers, we have decided to send you a maintenance manual that will help you to keep your kitchen in perfect condition over time. For assistance, please contact Pedini retailers, with whom we keep very close contacts.

Felicitaciones por haber elegido una cocina Pedini.

La empresa junto a su distribuidor especializado la dan las gracias por su elección y están encantados de contarla entre su más confiable clientela. Aprovechan la ocasión para recordarle que la Pedini desde hace años esta dedicada a la búsqueda de la calidad total y en el lanzamiento de modelos cada vez más innovadores, creativos, funcionales y ergonómicos. Ya que la empresa desea estar cada vez más cerca a sus nuevos clientes ha pensado de hacerle llegar un manual de mantenimiento que le ayudará, después de la adquisición, a conservar y a mantener la calidad de su cocina. Para la asistencia acudir a los distribuidores especializados Pedini, con los que hay en estrecha y continua colaboración.

Kitchen model

Purchase date

Door finish: Matt lacquered Glossy lacquered Metal lacquered thermo structured Veneered St. steel Laminate Fenix Glass Gres Other

Dealer

Fitting date

Annotation



Warranty 2+8 /

General warranty conditions

From the date of delivery, for 2 years your Pedini kitchen is free from any drawback of manufacture. If you use this one, you can contact our specialist dealer who will provide assistance and, if necessary, the free replacement of defective parts. Consult the card for general warranty conditions.

Customer remedies.

The company's and its suppliers' entire liability and your exclusive remedy shall be, at the Company's option. This Limited Warranty is void if failure of the Product has resulted from accident, abuse, inadequate maintenance and care or misapplication.

1 / The warranty is valid for 2 years from the installation date. You can take advantage of an extension of an extra 8 years. See instructions below. Keep the Certificate for the entire duration.

2 / The warranty is valid only if the kitchen has been subjected to normal conditions of use, in relation to the use and maintenance recommended by us.

3 / The warranty has effect only on the parts marked by the Pedini brand. For home appliances, the conditions set by the individual manufacturers will be applied.

4 / Pedini will not grant any refund on defective products, rather they will be replaced free of charge, subject to unquestionable verification by Pedini Spa.

5 / Pedini Spa denies any responsibility for furniture in which the installation of home appliances has not been made by an authorised technician.

6 / The warranty does not cover variations in the colour of the woods or lacquered surfaces due to natural aging or the display of artificial and environmental lights.

To request the free extension of the warranty, from two (2) to ten (10) years, connect to the website www.pedini.it, type in "Customer services" and follow the instructions



Your kitchen is a perfect piece of furniture and a major investment. You'll use it at least three times a day for many years, so, in order to make it last and continue to perform well, try to use it correctly and follow a few essential rules. Smoke and steam are enemies to any kitchen. They generate humidity, that can cause damage over time (mould, edges coming off, and so on). To prevent these problems, turn on the hood whenever you cook, so it will keep working well and have the best suction performance over time. Do not leave the sink and work tops, even those made of steel, wet. Remove the skirting boards to clean the area between the floor and the furnishings at regular intervals. If water seeps in near the sink, contact the retailer from which you bought your kitchen, immediately. Your kitchen is easy to keep clean with Pedini microfibre cloth included in the "Sanaclean Box". For use refer to the instructions provided on the pack. Never use the steam to clean your kitchen.

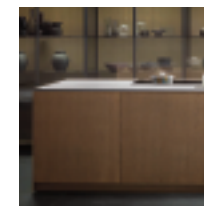
General maintenance rules /

Lacquered surfaces



Light exposure causes colours to alter slightly over time, on all the doors or varnished surfaces, even if treated with acrylic paints. Since this is a natural ageing process, it cannot give rise to any claims. Just remember that the colours of any furniture that you may buy at a later date could look different from the older kitchen furniture, but will tend to look the same with time. When adding some new part later, you should always send the colour sample that our company always provides along with the kitchen.

Wooden surfaces



Since wood is a natural material, its colour and texture can look slightly uneven; this is not a fault, but a valuable feature, so it cannot give rise to any claims. The colour of wooden as well as lacquered doors can also look slightly different over time due to light exposure.

The colour of any part that should be added later could look slightly different, though it will tend to look the same with time. Do not expose your wooden kitchen to direct sunlight.

The inner spaces



Since our kitchens are made of high-quality materials (Class-E1 IDRO V 100 and edges glued with ygroreactive polyurethane thermodhesives), they do not need maintenance.

Cleaning: to clean the shelves and internal areas, just wipe them with a soft cloth soaked in warm water and some neutral detergent.



Product details/

Regulations on the disposal of furniture

At the end of the life cycle, the furniture must be disposed of in landfills. This product details sheet complies with the provisions of law No. 126 of 10 April 1991, subsequently amended with the Consumer Code (Legislative Decree 6 September 2005, n.206).

Quality marks: Idroleb ecological panel

Made entirely of FSC certified recycled wood, its use prevents the felling of thousands of trees every day. The FSC (Forest Stewardship Council) mark indicates that the wood used comes from a forest managed according to rigorous environmental and socio-economic standards. FSC, born in Toronto in 1993, is an international non-profit NGO. The certification aims to the correct forest management and product traceability. In June 2016, the certified forest area is over 190 million hectares distributed in 81 countries and the processing companies involved in the "chain of custody" certification are over 30,000.

USA rules on the limits of formaldehyde use:

Pedini uses ecological panels that comply with the strict US regulations issued by the EPA (Environment Protection Agency) which regulates the formaldehyde emission (CARB / EPA TSCA Title VI). Practically, the panels contain a maximum formaldehyde level up to 0.04%, equal to that one contained in nature by trees.



Furniture assembly and wall fixing

The kitchen is the place where the greatest number of accidents occur, this is often due to incorrect furniture assembly. We invite to follow the instructions given in order to achieve a correct assembly. The assembly must be carried out by competent and specialised staff. Pedini Spa declines all responsibility for any damage caused by incorrect assembly or failure to follow the instructions. All furniture must be fixed to the wall or ceiling. Before drilling a wall, make sure that there are no running cables or inner water pipes. Note that each pair of wall brackets can support a weight of 130KG. The wall cabinet fixing must be carried out only after verifying that the consistency of the wall is suitable to support both the furniture weight and their possible content. The wall units must be hung on the wall with the supporting bar supplied by Pedini. Do not lay the wall units on any underlying back panel, this is to ensure that the weight is exclusively supported by the wall supporting bar. In order to avoid capsizing, it is also advisable to fix the bases unit to walls, especially those with drawers and baskets. In case you have to fix furniture on plasterboard walls, use special dowels and suitable screws.

Structure: base units, wall units, tall units

Carcass : wood fiber melamine coated panel (120 g / mq), water resistant (V100), compliant with USA regulations (CARB/EPA TSCA Title VI). Sides depth 330/565/615 mm.

Thickness: 18 mm.

Carcass and internal shelves finish: orion grey and white melamine.

Front edge: radial ABS.

Back, bottom and top edge: Orion grey melamine combined with hygro-reactive and heat-resistant glues capable of withstanding prohibitive temperatures (-70 ° + 150 °).

Internal melamine shelves: : water-resistant (V100) melamine coated agglomerated wood panel (120 g / m2), in compliance with USA regulations (CARB/EPA TSCA Title VI). The 90 and 120 cm wide shelves are equipped with a aluminium profile on the front edge to prevent or limit the bending. Equipped with anti-tip locking system.

Internal glass shelves: 10 mm thick transparent glass with beveled edges 4 sides.

Shelf support: the melamine shelves of furniture are equipped with spring-loaded supports which block the shelves and prevent any accidentally leaking out. The glass shelves are equipped with metal supports with snap lock.

Structure: base units, wall units, tall units

Backs: made of MDF material 8 mm thick. For model EKO backs in MDF material 4 mm thick.

Hygienic gap: 35 mm with 565mm sides depth and 85 mm with 615 side depth. Wall units 16 mm.

Sink base units: the sink base units with hinged doors are equipped with an aluminium protection for the bottom and the front edge.

Fridge tall units: the bottom of the fridge tall units is made of a molded thermoplastic material.

Hanging brackets: in steel, tested by CTBA (French authority) and LGA (German authority), each pair of brackets may support 130 kg.

Finishing sides: they can be requested in the same material as the door; they replace the structural ones.

Groove: profile in anodised aluminium, dark brown, titanium and lacquered matt or glossy finish. An insert matching the door finish can be required as an upgrade and with upcharge.

Plinth: in PVC aluminium foil coated or anodised aluminium profile, dark brown, titanium, wood veneer or lacquered matt and glossy finish. H 80/120/150 mm. It is fixed to the feet through steel hooks and it is equipped with a dust-proof gasket adhering to the floor.

Adjustable feet: height adjustable (+ 20 / - 5 mm). The 80 mm high rear feet are adjusted from the front by means of a special screwdriver supplied by Pedini Spa.

Hinges: in metal with a quick coupling, triple adjustment and soft closing system. 107 ° opening for wall units, base units and columns. 170° opening for corner and dish rack cabinets. Tested for 80,000 opening / closing cycles.

Legrabox drawers and baskets/glides: sides in epoxy powder painted steel, orion grey colour (stainless steel on request) and melamine bottom in the same colour. Top of the BLUM range, the glides are equipped with a soft closing system and a safety device that prevents them from accidentally leaking out. The capacity of the glides varies from 40 to 70Kg. Tip-on opening or Servo drive electrical mechanism on request.

Antaro drawers and baskets/glides: sides in black painted steel. Made by BLUM, the guides are equipped with a soft closing system and a safety device that prevents them from accidentally leaking out. The capacity of the glides is 30 or 65 kg.

The doors /

Lacquered doors

Made of medium density wood fiber panels (MDF) with a perfectly flat surface. Compliant with US formaldehyde emission regulations (**CARB/EPA TSCA Title VI**).

Thickness: 12/19/22/25 mm.

Matt finish: polyester primer and varnish with matt pigmented polyurethane finish.

Glossy finish: polyester primer and varnish with brushed glossy pigmented polyurethane finish.

Metal finish: this finish is the result of various processes. The polyester base is covered with a metal-effect primer, then is sprayed a metallic acrylic paint. The satin / scratch finish is made entirely by hand. Finally a transparent acrylic protective coating is applied.

Direct glossy finish: fiber panels (MDF) compliant with USA regulations (**CARB/EPA TSCA Title VI**). Treated with polyester primer, front surface and visible edges direct glossy acrylic paint, back surface matt lacquered.

Thickness: 19/22 mm.

Lacquered doors with frame: fiber panels (MDF) compliant with USA regulations (**CARB/EPA TSCA Title VI**). The doors have a 10 and 70 mm perimeter frame.

The paints used by Pedini to finish the doors are tested by the manufacturer and only those which provide excellent guarantees are included in our production process. Don't forget that the colour of lacquered doors tends to be altered by sunlight. The colour of any part that may be added at a later date might look slightly different, but with the passing of time, it will grow to look like the older colour.

Cleaning: gently wipe the surface with some cotton-wool soaked in glass-cleaner or clean with the 'Pedini microfibre cloth'. Then, rinse with a soft cloth soaked in hot water and dry. For tougher dirt, use alcohol diluted in water and dry immediately with a soft cloth.

To be avoided: abrasive sponges or steel wool and detergents such as bleach, acetone, trichloroethylene, ammonia, etc, because the use of these materials would cause indelible scratches on doors.

Lacquered doors model K016

For technical reasons, the doors of the K016 model with a height greater than 1405 mm, are made of aluminium honeycomb panels. It is an essential technique to guarantee the stability of the door.

Doors, whatever the type (lacquered, laminated, wooden, etc.), are some of the most stressed parts in a kitchen. Due to their weight, their initial position could change, so they should be brought back to their original position later on. This operation is very easy due to the special blocks and hinges used by Pedini: all it takes is a normal screwdriver to move some adjusting screws. Clean them depending on their nature, as specified below.

The doors /

Laminate doors

Made of panels of wood agglomeration coated with high pressure laminated sheets (HPL) in solid colour or wood-like 7/10 thick hot pressed with vinyl glues. Finished on four sides with 10/10 thick ABS edges, material with exceptional qualities of wear and impact resistance. Compliant with US regulations **USA (CARB/EPA TSCA Title VI)**.

Cleaning: periodically clean the surface with a soft cloth moistened with hot water or a sponge with liquid detergents. To remove limescale stains, use acid cleaners (aqueous solution with 10% citric or acetic acid). Use the Pedini microfibre cloth.

To be avoided: scourers or abrasive creams.

Thermostructured doors

Made of 19/22 mm thick panels of agglomeration wood coated with thermoformed melamine and melamine resin finished with 10/10 ABS edges on 4 sides. Compliant with US regulations **USA (CARB/EPA TSCA Title VI)**.

Cleaning: clean with a Pedini microfibre cloth or a soft cloth. To remove persistent stains, use non-abrasive neutral detergents or a solution of water (80%) and vinegar (20%). Rinse with warm water and dry.

To avoid: the use of scourers or abrasive sponges and detergents containing acetone, trichlorethylene, chlorine.

Fenix laminate doors

Made of 20/22 mm thick wood fiber panel, coated with Fenix laminate; new generation surface that stands out for its extreme opacity, anti-fingerprint, resistant, water-repellent and easy to clean. Edges in Unicolor. Compliant with US regulations **USA (CARB/EPA TSCA Title VI)**.

Cleaning: wipe the surface with a soft cloth moistened with hot water or a sponge with liquid detergents daily. To remove limescale stains, acid detergents must be used (water solution with 10% citric or acetic acid). Use Pedini microfibre cloth or Magic Eraser. Rinse preferably with warm water.

To be avoided: the use of scourers, sponges or abrasive creams and the use of aggressive substances

The doors /

Smooth veneered doors

Made of panels wood agglomeration veneered with wood sliced (thickness 7/10). Surface treated with non-toxic matt acrylic paint to minimise colour variations due to aging. Excessive humidity may cause irreversible damage.

Wood: stained oak in various finishes, eucalyptus, dark Canaletto walnut and light Canaletto walnut.

Cleaning: they must be cleaned by rubbing them in the direction of the grain in order to better remove dirt from the pores. You can use denatured alcohol for very dirty spots. To protect the surfaces you can regularly use neutral wax to be applied in the direction of the grain.

To be avoided: the use of scourers or abrasive sponges, and the use of stain removers such as acetone, trichlorethylene, ammonia.

Precautions: do not expose to direct sunlight, since UV rays speed up the colour ageing process.

Veneered doors with frame

Consisting of a 10 mm perimeter frame in solid wood and a panel of agglomerated wood veneered in open pore oak.

Wood: stained oak in various finishes.

Cleaning: they must be cleaned by rubbing them in the direction of the grain in order to better remove dirt from the pores. You can use denatured alcohol for very dirty spots. To protect the surfaces you can regularly use neutral wax to be applied in the direction of the grain.

Precautions: do not expose to direct sunlight, since UV rays speed up the colour ageing process

Eucalyptus veneered door model K016

The door is made of aluminium honeycomb panels (12 mm thick) covered with open pore matt lacquered Eucalyptus veneer. Edged with sliced wood eucalyptus on 4 sides.

Wood : stained eucalyptus.

Cleaning: they must be cleaned by rubbing them in the direction of the grain in order to better remove dirt from the pores. You can use denatured alcohol for very dirty stains. To protect the surfaces you can regularly use neutral wax to be applied in the direction of the grain.

Precautions: do not expose to direct sunlight, since UV rays speed up the colour ageing process.

The doors /

Gres doors (stoneware)

Aluminium frame in titanium or dark brown finish on which a 4/5 mm thick porcelain stoneware slab is glued. Stoneware is a very resistant material, without porosity and is compacted at a temperature of 1250 ° without the addition of glues or resins.

Cleaning: No special products or special care is required for cleaning. Any stains can be removed with neutral detergents diluted in hot water or with common products. Detergents, bleach, oil, vinegar, etc. do not damage the doors as long as they are removed within 24 hours. Rinse again with water and dry with a Pedini microfibre cloth.

To be avoided: scourers or abrasive creams.

Stainless steel doors

Made with AISI 304 18/10 stainless steel, they have a steel counter-paneling. Electrowelded edges

Steel finish: satin and scotch-brite.

Cleaning : they must be cleaned with hot water and dried with a chamois leather. In order to eliminate any limescale stains, use the specific products for stainless steel commonly on sale.

To be avoided: scourers, sponges or abrasive creams and the use of powder detergents, in addition to all detergents containing acid or chlorine.

Precautions: coke, coffee, salt, lemon or grapefruit juice leave indelible traces if left on the surface for a long time, so they must be removed immediately.

Rolling items (shutters)

From time to time, if the roller shutter does not slide smoothly, grease them with specifically refined oils.

Cleaning : at regular intervals wipe the surface with a soft cloth soaked in hot water or a sponge soaked in liquid detergent.

The doors /

Back-lacquered glass doors

Made with aluminium frame (20x45 mm section), on which is glued a back-lacquered tempered glass panel. The inner side of the door is paneled with an aluminium foil. In case of breakage, the glass (4 mm thick) is reduced into small, harmless fragments.

Glass finish: matt or glossy lacquer.

Cleaning external side: these parts should be cleaned with glass products or alcohol diluted in water and immediately dried with a soft cloth or cleaned with the 'Pedini microfibre cloth' to avoid scratches on the surface. At the end of the cleaning it is recommended to rinse and dry.

Cleaning internal side: internal side glass is lacquered, then use the same method that you use for any lacquered surface.

To be avoided: scourers or abrasive creams, powder detergents, acids, diluents, acetone, ammonia ecc.

Glass doors

Made with aluminium perimeter profile of 35x15 mm section, on which a tempered glass panel is inserted. The opening takes place by means of a handle obtained on the vertical profile of the door.

Frame finish: dark brown, titanium, lacquered.

Glass finish: transparent or grey smoke.

Glass cleaning: these parts should be cleaned with glass products or alcohol diluted in water and immediately dried with a soft cloth or cleaned with the 'Pedini microfibre cloth' to avoid scratches on the surface. At the end of the cleaning it is recommended to rinse and dry.

To be avoided: scourers or abrasive creams, powder detergents, acids, diluents, acetone, ammonia ecc.

Glass doors of the Eko model

Composed of a black painted aluminium perimeter profile, on which a tempered glass panel is inserted.

Frame finish: black painted with black epoxy powders.

Glass finish: stopsol.

Glass cleaning: the glass can be cleaned with glass products or with alcohol diluted in water, always using a soft cloth or the 'Pedini microfibre cloth' to avoid scratching the surface. Finally, rinse and dry the surfaces.

Worktops / peninsulas /

Laminate worktops

Made with water-repellent (V100) class E1 wood agglomerate panels compliant with European standard DIN 68763 (EN 317), coated with HPL laminates compliant with European standards (EN438), scratch-resistant and heat-resistant, in solid colour or wood finish. High pressure with high degree of resistance to heat, abrasion, humidity, water infiltration. Hot coupled with vinyl glues. Their features can be functional and aesthetic. The front edge can be in wood, aluminium or post-formed.

Cleaning: they must be cleaned with a damp cloth and glass cleaner or with normal detergents that do not contain abrasives or acids. In case of limescale stains, use a sponge soaked in vinegar or an anti-limescale product. Finally dry with a soft cloth.

To be avoided: usage of abrasive scourers and detergents with alkaline components on waxy or glossy surfaces. Dragging objects on surfaces may cause scratches. Placing overheated objects such as coffee maker, iron, pots, etc.

Precautions: the worktops have limited resistance to heat. To avoid burns or cracks, do not place the pans that have just been removed from the heat or hot flatiron directly on their surface. Despite the high resistance to abrasions, do not cut directly on the working surface. To avoid scratches a cutting board should be used.

Fenix worktops

Made with wood fiber panels, water repellent V 100, compliant with DIN 68763 (EN 317), class 1, covered with 7/10 thick FENIX laminate. The surface is treated with nanotechnologies and thermoplastic resins. Hot coupled with vinyl glues. They are of different types and thicknesses, both functional and aesthetic. Edged with unicolor edge, they have a surface with high antibacterial power.

Cleaning: wipe the surface with a soft cloth moistened with hot water or with a sponge and liquid detergent daily. To remove limescale stains, acid detergents must be used (water solution with 10% citric or acetic acid). Use Pedini microfibre cloth or Magic Eraser. Rinse preferably with warm water.

To be avoided: using abrasive scourers and detergents with alkaline components on waxy or glossy surfaces. Dragging objects on surfaces may cause scratches. Do not placing overheated objects such as coffee maker, iron, pots, etc.

Precautions: the worktops have limited resistance to heat. To avoid burns or cracks, do not place pans that have just been removed from the heat or hot flatiron directly on their surface. Despite the high resistance to abrasions, do not cut directly on the working surface. To avoid scratches a cutting board should be used.

Worktops / peninsulas /

Marble worktops

Marble, natural material, is a limestone of organic origin, it is formed through a metamorphic process, from sedimentary rocks, which causes the complete crystallisation of the calcium carbonate of which they are composed. It is a material that fits in a balanced and pleasant way in the kitchen space, but that requires special attention in use and maintenance. Extracted from quarries in blocks, it may present differences in colours or grain, due to its natural origin which makes each slab unique. Its surface is treated with special liquid to protect it from acids, oil or other aggressive elements.

Cleaning: use a soft cloth and soapy water. Food stains should be removed immediately. In case of persistent stains you can use the magic sponge lightly.

To be avoided: Since this is a porous and therefore very absorbent material, avoid oil, coffee, wine, liquor, coke, tomato stains and any corrosive stain from lemon, wine, vinegar, etc. or dyes that can normally be found in a kitchen.

Precautions: even if they are stainproofed during production, the effectiveness of these treatments decreases over time (6 months), so the treatment should be periodically repeated using the stainproof products available from our retailers.

How to treat marble surfaces: clean the marble surface with a moist cloth and dry it with a dry cloth. Then, apply our stain and waterproof product or a similar one with a clean, dry cloth all over the surface. Leave to dry then wipe with a dry wool cloth. Repeat after few months.

Granite and stone worktops

Granite (UNI-4858), is a formation of eruptive rocks containing a high percentage of silica and is chemically made up of quartz and alkaline minerals. Unlike those in marble, the granite tops are more resistant to abrasion and have a compact surface, made up of minerals with high hardness (Mohs). Like marble, it is treated on the surface with stain-proof liquid.

Cleaning: They have to be cleaned and maintained like marble tops. The waterproofing treatment should be repeated (approximately) every year.

Worktops / peninsulas /

Gres worktops

The porcelain stoneware tops are obtained through the sintering process of ceramic clays, feldspar, kaolins and sand, raw materials that are first ground (transformed into slip), then finely atomised until a homogeneous particle size powder suitable for pressing. The firing takes place in ovens at a temperature between 1150 and 1250 °C. Resistant to fire, they do not release toxic substances into the environment. The cooking process determines the ceramicisation / grinding of the dough, attributing the typical characteristics of abrasion resistance, impermeability and longevity.

Cleaning: No special products or special care is required for cleaning. Any stains can be removed with neutral detergents diluted in hot water or with common products. Detergents, bleach, oil, vinegar, etc. do not damage the floors as long as they are removed within 24 hours. Rinse again with water and dry with a Pedini microfibre cloth.

To be avoided: do not step on the top with your feet.

Lapitec worktops

Innovative sintered stone, with exceptional physical and mechanical properties. "Full body" material easily workable. Totally free of porosity, it does not absorb, does not stain and is resistant to the settlement of bacteria and mold. It is resistant to acids, bases and solvents, extremely hard, resistant to impact and abrasion, incombustible, insensitive to the degrading action of UV rays. Lapitec surfaces are resin-free, do not contain petroleum derivatives and are antibacterial. Bio-tech technology makes it immune to the attack of mould, fungi and microorganisms. It is made up of GREEN raw materials.

Cleaning: No special products or special care are required for cleaning. Any stains can be removed with stain removers suitable for the type of stain. To remove limescale stains, use a descaling detergent. For oily stains use a degreaser. Always rinse with clean water.

To be avoided: a sintered stone does not need any treatment. Avoid using wax that would compromise its technical and aesthetic characteristics. Do not step on the top with your feet.

Worktops / peninsulas /

Quartz worktops

Synthetic or reconstituted quartz is composed of crystalline silica, polymer resins and coloured pigments stabilised against UV rays. Easier to work with, it also offers a wide range of colours. Sinks are also made up of this type of material. They are hygienically suitable for use in the kitchen, as being produced with a vibrocompaction process, they are highly compact and free of porosity. They do not allow the proliferation of bacteria.

Cleaning: for a correct daily cleaning use a microfibre cloth. To avoid limescale deposits, use vinegar or vinegar-based cleaners. Do not use greasing cleaners to prevent a patina from forming on the surface of the hob. For persistent stains, aggressive acid-based detergents can be used. Always rinse with water and dry.

To be avoided: the use of denatured alcohol. Do not clean the surface with products containing bleach or in any case with a highly basic pH which can create a whitish halo. Avoid caustic soda and paint solvents. Do not step on the top with your feet.

Corian worktops

Corian is a synthetic material composed of a mixture of natural minerals such as aluminium hydroxide and high purity acrylic polymers and eco-compatible pigments. The combination of the two materials gives the top a remarkable hardness and thermoformability. It is a resin ductile and easy to work, a material with unique characteristics, which allows to create surfaces without joints. Resistant to direct sunlight, its colour remains unchanged over time. Its mass colouring allows the removal of scratches or accidental cuts by means of an abrasive sponge.

Cleaning: for a correct daily cleaning please use a Pedini micro-fibre cloth. To avoid the limestone deposit please use vinegar or detergents based on vinegar. Please do not use fat detergents to avoid the developing of a patina on the surface of the worktop.

To be avoided: the use of denatured alcohol. Clean the surface with products containing bleach or in any case with a highly basic pH which can create a whitish halo. Avoid caustic soda, paint solvents. Do not step on the top with your feet.

Worktops / peninsulas /

Crystal worktops

Crystal, sheet thickness 15 mm. Extra-clear transparent glass in planimetric sheets, with both flat, parallel and shiny faces (UNI 5832 point 2.4.2) obtained from a FLOAT manufacturing process, by casting on a metal bath in a controlled atmosphere. Suitable for kitchen worktops, it can be lacquered in different colours from the Pedini range.

cleaning: for a correct daily cleaning use a microfibre cloth. To avoid limescale deposits, use vinegar or vinegar-based cleaners. Do not use greasing cleaners to prevent a patina from forming on the surface of the top.

Steel worktops

Made of **AISI 304 18/10** stainless steel, 10/10 thickness, and reinforcement in water-repellent V100 wood fiber support. Small measures allow this strong and resistant material to be perfectly preserved over time.

St. steel finish: satin, scotch-brite and vintage (aged effect).

Cleaning: clean with a soft cloth soaked in hot water and dry subsequently with a chamois leather or with the Microfibre Pedini cloth. For water stains, use specific products for stainless steel. In case of persistent stains, use a sponge moistened with vinegar and clean following the direction of the satin finish. Always dry with the utmost care after each cleaning operation.

To be avoided: the use of scourers and detergents with alkaline components and all corrosive substances, chlorine and acids. Avoid products that contain ammonia, bleach alcohols as they reduce the sheen.

Veneered worktops

Wood fiber panels, water repellent V 100 class E1, covered with wooden veneer and edged with solid wood on the perimeter.

Cleaning: they must be cleaned by rubbing them in the direction of the grain in order to more effectively remove dirt from the pores. For the toughest dirt you can use denatured alcohol. To protect the surfaces you can regularly use neutral wax to be applied in the direction of the grain.

To be avoided: the use of scourers or abrasive sponges, and the use of stain removers such as acetone, trichlorethylene, ammonia.

Rear panels /

Rear panels

Normally the backpanels placed between the base and the wall units and the upstands are built with materials having the same characteristics as the worktops. For maintenance, take the same precautions as for worktops and doors.

Thermostructured: produced with wood fiber panels, compliant with DIN 68763 (**EN 317**), class 1, coated with melamine, ABS edge on the sides coupled with polyurethane glues.

Laminate: made up of wood fiber panels, water repellent **V 100**, compliant with **DIN 68763 (EN 317)**, class 1, covered with HPL laminate, ABS edge on the sides coupled with polyurethane glues.

Slatted veneered panels: made up of high density wood fiber panels (MDF), water repellent V 100 class E1 covered with wood veneer. The stave effect is obtained by milling the surface that remains visible at regular intervals with specific tools and special machinery. The next stage is painting using the same techniques used for the doors or worktops in veneered wood.



Lacquered slatted panels: same material and construction criterion of the veneered slatted panels, they differ from these in the finish: in this case the veneer is replaced by the lacquer.

Sinks /

Steel sinks

Steel sinks are among the strongest, most waterproof, most hygienic, practically indestructible and need no maintenance. Just a little damage prevention is required.

Cleaning: Specific stainless steel detergents will make it easier to get rid of marks and stains, while to remove persistent stains use some denatured alcohol. Should you not have this product, you can still obtain a good result by using a cloth soaked in hot white vinegar or by rubbing lemon peel on the stain. After this, immediately rinse with soapy water and dry. Periodically clean the steel with Pedini cream which you will find in the "Sanaclean box" following the instructions carefully.

To be avoided: abrasive products (steel wool, power detergents) that would scratch the surfaces, or aggressive acid or abrasive products.

Precautions: salt, coke, coffee and lemon juice, if left for long periods of time on the sink surface, will stain it. Remove them as soon as possible. Do not leave any open box or bottle of detergent under the sink; they can give off exhalations that could oxidise the steel. Don't leave wet metal objects in sinks for long time, because may cause oxidation which may be transmitted to the sink themselves causing stains.

Corian sinks

Corian is made of a mixture of natural minerals, pure acrylic polymers and eco-friendly pigments. The combination of these two materials gives the worktop a considerable hardness and thermo-mouldableness. Its colouring allows the removal of stains or accidental cuts through an abrasive sponge. Sinks and tops are perfectly matched.

Cleaning : for a correct daily cleaning please use a microfibre cloth with some water. To avoid the limestone deposit please use vinegar or detergents based on vinegar. Please do not use fat detergents to avoid the developing of a patina on the surface of the worktop.

To be avoided: the use of aggressive chemicals such as acetone, trichlorethylene, strong acids or bases. Do not use hot caustic soda or similar products to clean clogged pipes.



Sinks /

Stone, granite and marble sinks

These materials fit in a balanced and pleasant way in the kitchen space, but require special attention in use and maintenance. Extracted from quarries in blocks, they may present differences in colours or grain, due to its natural origin which makes each slab unique.

Cleaning: it must be cleaned with the 'Pedini microfibre cloth' and soapy water. Any stains of food liquids must be removed immediately.

To be avoided: being a material of a porous nature it is highly absorbent, so stains of oil, coffee, wine, liqueur, coke, tomato and of corrosive products such as: lemon, wine, vinegar etc., or colourants that are normally in the kitchen should be avoided.

Precautions : even if they are treated with anti-stain products at their production, the time (about 6 months), decreases their effectiveness, therefore, it is advisable to periodically renew the treatment using the anti-stain liquid for sale at our dealers. The treatment should be done in this way: wipe the marble surface with a damp cloth and dry it well with a dry one. Then clean the whole surface using a dry cloth with the stain-proofing product we have proposed or a similar one. Let it dry well, then clean the top by wiping it with a dry woolen cloth. Repeat the operation after a few months.

Gres sinks

Stoneware sinks withstand high temperatures. They do not emit toxic substances and pots or other utensils can be placed on them without causing any damage.

Cleaning:No special products or special care are required for cleaning. Any stains can be removed with neutral detergents diluted in hot water or with common products. Detergents, bleach, oil, vinegar, etc. do not damage the tops as long as they are removed within 24 hours. Rinse with water and dry with a Pedini microfibre cloth.

To be avoided: hitting the sink with sharp objects.



Hoods /

Hoods

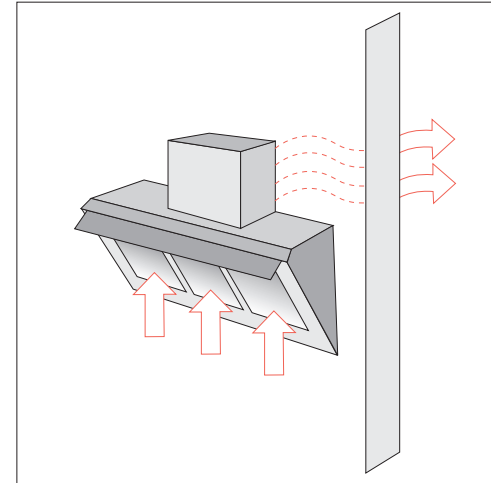
The suction hood removes cooking steam and smells, and traps the greasy particles that are given off during cooking, within special filters. These particles are the main cause of the dirt that is created on kitchen furniture.

Cleaning: use a soft cloth soaked in neutral liquid detergent or 'Pedini microfibre cloth'. Do not use acid or caustic detergents, abrasive products or scourers. They would irreparably damage and scratch the outer surface

Do not leave: the burners must never be left on and free with the hood off, the pans must be placed on the burners and the hood must be turned on immediately, in order to avoid overheating of the engine and increasing efficiency against odors and vapors produced by cooking. Do not use abrasive products (scouring pads, powder detergents) which would create scratches and the use of aggressive, acidic or abrasive products.

Advice: to keep the suction hood in perfect condition, the (aluminium) grease filter should be washed every 3-4 months, or at more regular intervals if it is often used. The same applies to the charcoal filters of the filter hoods. To replace the filters, follow the instructions contained in the user's manual supplied with the hood.

The sucking power of the hoods is originated by good engine and by the correct position of the external pipe.



Drawers and baskets /

Legrabox Blum model

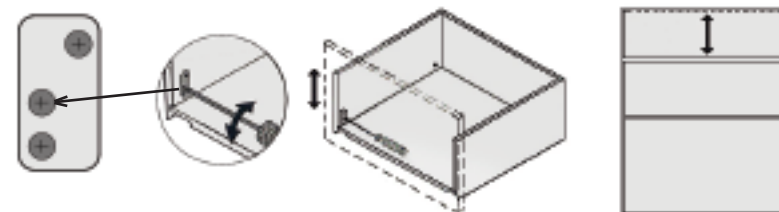
Sides in epoxy powder painted steel, orion grey shade (stainless steel on request) and melamine bottom of the same colour. Top of the BLUM range, the runners are equipped with a soft closing system and a safety device that prevents them from accidentally leaking out. The capacity of the runners changes from 40 to 70Kg. Push-pull opening or electric mechanism on request.



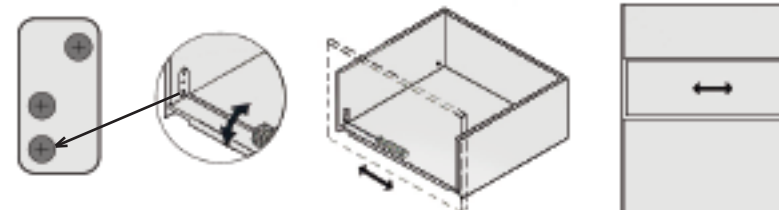
Drawers and baskets /

Legrabox Blum model

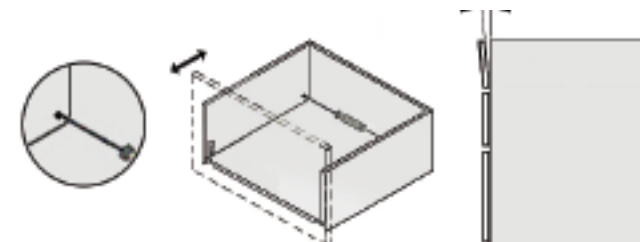
VERTICAL ADJUSTMENT



LATERAL ADJUSTMENT



DOOR INCLINATION



Drawers and baskets /

Antaro Blum model

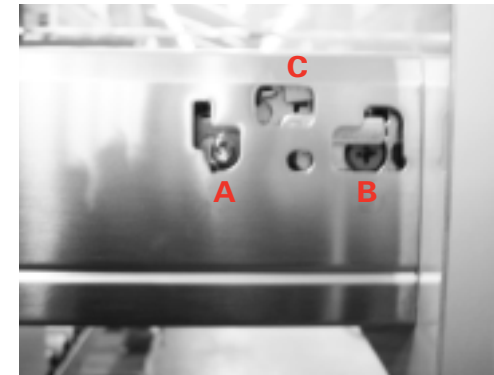
Sides in black painted steel. Made by BLUM, the guides are equipped with a soft closing system and a safety device that prevents them from accidentally leaking out. The capacity of the glides is 30 or 65 kg. They can have different depths depending on the cabinet on which they are to be mounted.



Drawers and baskets /

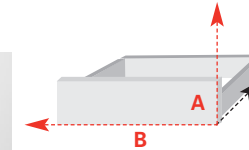
Antaro Blum model

Engaging and releasing of the drawer (or basket) is an easy operation, pull-out the drawer completely, lift it slightly, lower it again and remove it. To engage it, pull-out the glides, fit the drawer onto the glides and then close it completely; you will hear it snap into place.



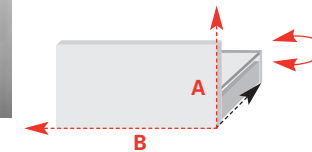
Attention!
By rotating the screw **C** the face door is released.

Frontal alignment



Frontal alignment and parallelism of drawers.

To remove the cover plates and using a Phillips screwdriver rotate the **A-B** screws (see picture) for adjusting to the left or the right side.



Frontal alignment and parallelism of baskets.

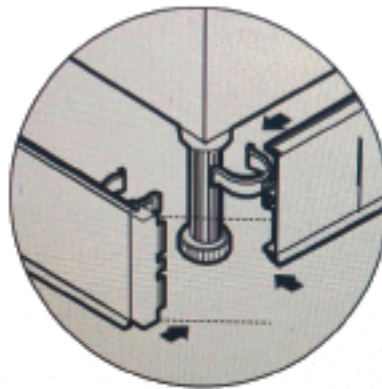
To remove the cover plates and using a Phillips screwdriver rotate the **A-B** screws (see picture) for adjusting to the left or the right side. Rotating the rail **F** you can obtain a further adjustment of the front panel.

Plinths and legs



The plinths are aluminium profiles, sometimes customised like the kitchen and have mainly an aesthetic function. They close the space between the base units and the floor, they are coupled to the furniture feet by plastic attachment springs, sliding on the plinth itself. The feet hold considerable weights and are adjustable in height for a perfect leveling of the cabinet. The plinth must be removed periodically to clean the rear spaces. Removal must be done by pulling the plinth outwards, starting from one end (right or left)

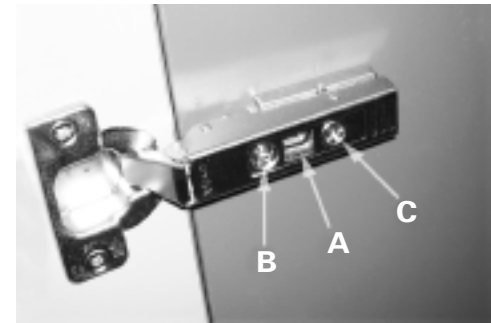
Cleaning: to clean with a soft cloth moistened with warm water and neutral detergents.



The hinges

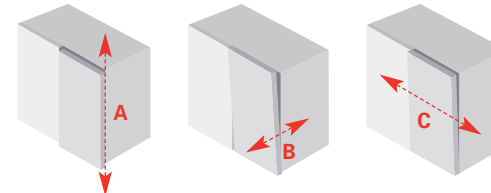


Made in grey galvanised metal they can be snap mounted, they are adjustable in height and depth, and their opening angles can vary between 107° and 170° depending on the usage.



Adjustment of the hinges.

Hinges are very important: they must be strong, use-resistant, easy to be adjusted. No saving can be made for their quality or quantity. Pedini knows it, and its hinges are rapidly coupled and have triple adjustment with 110° and 170° opening; they are protected in galvanic bath in order to resist to vapours and chemical agents. They are tested for 200.000 openings and certified by LGA according to the German authority of legislation.



The hinges fitted by Pedini have a triple adjustment.

Moving the screw (A) you adjust the hinge vertically.

Moving the screw (B) you adjust the hinge horizontally.

Moving the screw (C) you adjust the parallelism between the door and the sides of the unit in the direction:

Home appliances /

All the home appliances installed by Pedini have been selected from the best brands that offer good customer service assistance all over the area. In case of need, directly contact the call centres listed in the guarantee certificates supplied with each appliance.

Cleaning: follow the manufacturer's instructions



Hobs

Cleaning: to clean the burners installed on stainless steel tops, use water and normal detergents, then rinse with hot water and dry. For persistent dirt or water marks, use a specific stainless steel product. Electric plates (if provided) are to be cleaned with a cloth soaked in a mild detergent, then dried.

Do not use steel brushes or knives.

Ovens

Cleaning: first of all, switch the power off. If the oven is not equipped with self-cleaning panels, clean it just after use, when the parts are still warm. To do this, just wipe it with a sponge soaked in warm water and some normal detergent.

Do not use aggressive detergents and avoid any abrasive material or steel wool.

Precautions: restrain from using spray products, even if specifically designed, and in any case, use them on glazed surfaces only. Electric resistors, air fans and self-cleaning panels (if supplied) must not be treated with these products.

Refrigerators and freezers

Cleaning: to clean inside, use mild, non-abrasive normal detergents only. For automatic defrosting appliances, keep the opening of the draining-board clean.

Do not obstruct the drainage hole, since this would cause liquids to flow over into the appliance. Never use any metal or sharp object to remove the ice layer, since it could damage the cooling plates! Use the special plastic scraper supplied with the appliance.

Precautions: if the appliances are not provided with an automatic defrosting system, such as freezers and shelves, defrost them at regular intervals: the ice layer would affect their performance!

Home appliances /

Dishwashers

For dishwashers to work perfectly, just follow a few essential rules.

Cleaning: clean the filters at regular intervals. From time to time, clean the suction pipe. Keep the door gasket clean, to ensure a perfectly sealed closure. An imperfect closure would cause steam to seep out, which could damage the surrounding furniture.

Precautions: check the salt and polish level (for quantities, see the manufacturer's instructions). Use specific dishwasher detergents in the right amounts.



AISI 304 18/10: the abbreviation AISI304 18/10 indicates that the steel used is composed of 18% chromium and 10% nickel. The two materials combined give the steel corrosion resistance and mechanical strength.

ABS: ABS is the acronym for Acrylonitrile-Butadiene-Styrene. It is a polymer made of synthetic resins.

POLYURETHANE GLUE: it is a hygroactive and heat-resistant glue. It can withstand prohibitive temperatures (-70 °+150 °).

FORMALDEHYDE: it is a colourless gas used in the thermosetting glues used in the furniture sector to aggregate wood particles. It is one of the most common indoor pollutants. At concentrations above 0.1 ppm, by inhalation, it can irritate the eyes and mucous membranes. The International Association for Cancer Research (IARC) has included formaldehyde in the list of substances considered for carcinogenic the human species. From 1 January 2016, formaldehyde has moved on from classification of "suspected of causing cancer" to "can cause cancer" (Regulation (EU) No. 605/2014).

WATER REPELLENT: in the furniture sector it is considered water repellent a panel made of wood particles or MDF which immersed in water for a certain period, has a swelling established by regulations. The resistance is classified with a scale of values ranging from V20 to V100 where the latter has the maximum resistance to swelling.

VENEERED: it is a panel of agglomerated wood or MDF whose surface is covered with thin sheets of wood, called veneer. The wooden sheets, obtained by cutting the trunk, are coupled to the panel with polyurethane glues. The surface is then treated with acrylic and non-toxic paints. Compared to solid wood, it is less subject to deformations over time and allows a considerable saving of wood.

LACQUERED: the lacquered is made with pigmented polyurethane varnish which is applied on panels of high density wood fiber (MDF) previously coated with polyester and sanded. It can be matt, glossy, metal finish. The polyurethane paint does not contain heavy metals.

Matt finish: polyester primer and varnish with matt pigmented polyurethane finish

Glossy finish: polyester primer and varnish with brushed glossy pigmented polyurethane finish

Metal finish: this finish is the result of various processes. The polyester base is covered with a metal-effect primer, then is sprayed a metallic acrylic paint. The satin / scratch finish is made entirely by hand. Finally a transparent acrylic protective coating is applied.

Direct glossy finish: Polyester primer, the visible side is brushed glossy acrylic paint, the internal side matt lacquered.

HPL LAMINATE: as the abbreviation HPL (High Pressure Laminate) says, the laminate is made up of cellulose sheets impregnated with resins and a decorative melamine sheet which are consolidated under heat and high pressure. The thickness varies according to the number of sheets used. The HPL material is used for cladding wood fiber or MDF panels for furniture construction.

FENIX LAMINATE: same process as HPL laminate, the surface is treated with nanotechnologies which increase its resistance. It is a plain colour opaque material with low light reflection. Soft and velvety to the touch, it has a high antibacterial activity.

UNICOLOR LAMINATE / UNICOLOR EDGE: same process as HPL laminate. The foil has an all-coloured support. There is no difference in colour between the plane and the edges.

MDF: the Medium Density Fibreboard (MDF) is a panel made of wood fibers joined with resins and pressed at different densities. The panel obtained is ideal for lacquering as it is perfectly flat, however it can also be covered with melamine paper, sliced and laminate.

MELAMINE: it is a decorative paper impregnated with melamine resins. The resins used are colourless, odorless and relatively water resistant. They are available in many colours and can imitate the grain of the wood. This melamine material is used for cladding wood fiber or MDF panels for furniture construction. These panels are normally known as "melamine coated panels".

WOOD AGGLOMERATE PANEL (CHIPBOARD): composed of wood particles bonded together by means of adhesives with heat-pressed synthetic thermosetting resins. Normally the wood particles come from wood waste from other processes, for this reason it is an interesting product from an ecological point of view.

HONEYCOMB PANEL: panel obtained by gluing two sheets of plywood or MDF 4 mm thickness on a spruce frame. Thereafter, it can be lacquered, veneered, laminated, etc. In the cavity, a cardboard honeycomb is placed. This technique gives stability and lightness to large panels.

TEMPERED GLASS: the glass during processing is subjected to a sudden cooling, obtaining a sheet of great hardness and high fragility. In the event of breakage, the glass is reduced to small, harmless fragments.



Customer service /

Replacing or adding elements

After sales service

Pedini has selected its retailers with care to provide you with qualified consultants who will help plan your kitchen and qualified technicians who will resolve any problems after you have purchased it.

Should you wish to replace or complete your kitchen by adding different elements or new appliances, please contact your Dealer who will help you make your choice and place your order.

Pedini Dealers spokespersons for the Company and reference points for our Customers, will help you decide exactly what you need. To make it easier to complete or replace the model you have purchased, please go to the authorised Pedini Dealer with the **guarantee certificate**, in order to enable the Dealer to obtain updated information on the characteristics of the model manufactured and delivered, even at a much later stage.

Before you replace domestic appliances or add a new one to your kitchen, we recommend that you buy appliances which have been fitted directly by our company. Incorrect installation might prevent your appliances from working properly or damage your kitchen.



